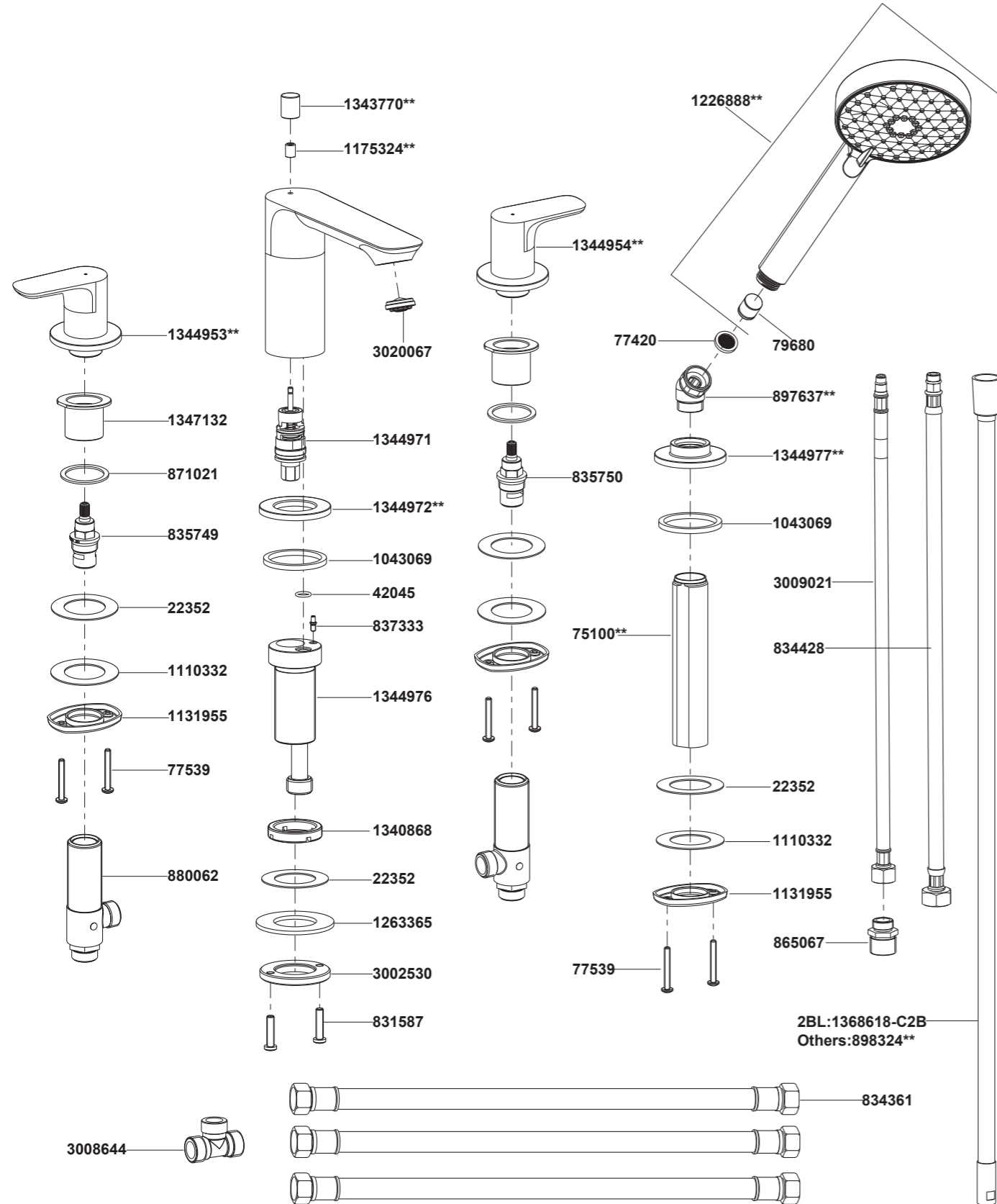


### 31236T-4 Deck Mount Bath Shower Faucet With Handshower(S)



\*\*Color code must be specified when ordering.

### 31236T-4 Deck Mount Bath Shower Faucet With Handshower(S)

#### BEFORE YOU BEGIN

All information is based on the latest product information available at the time of publication. Kohler Co. reserves the right to make changes in product characteristics, packaging, or availability at any time without notice.

Please leave these instructions for the consumer. They contain important information.

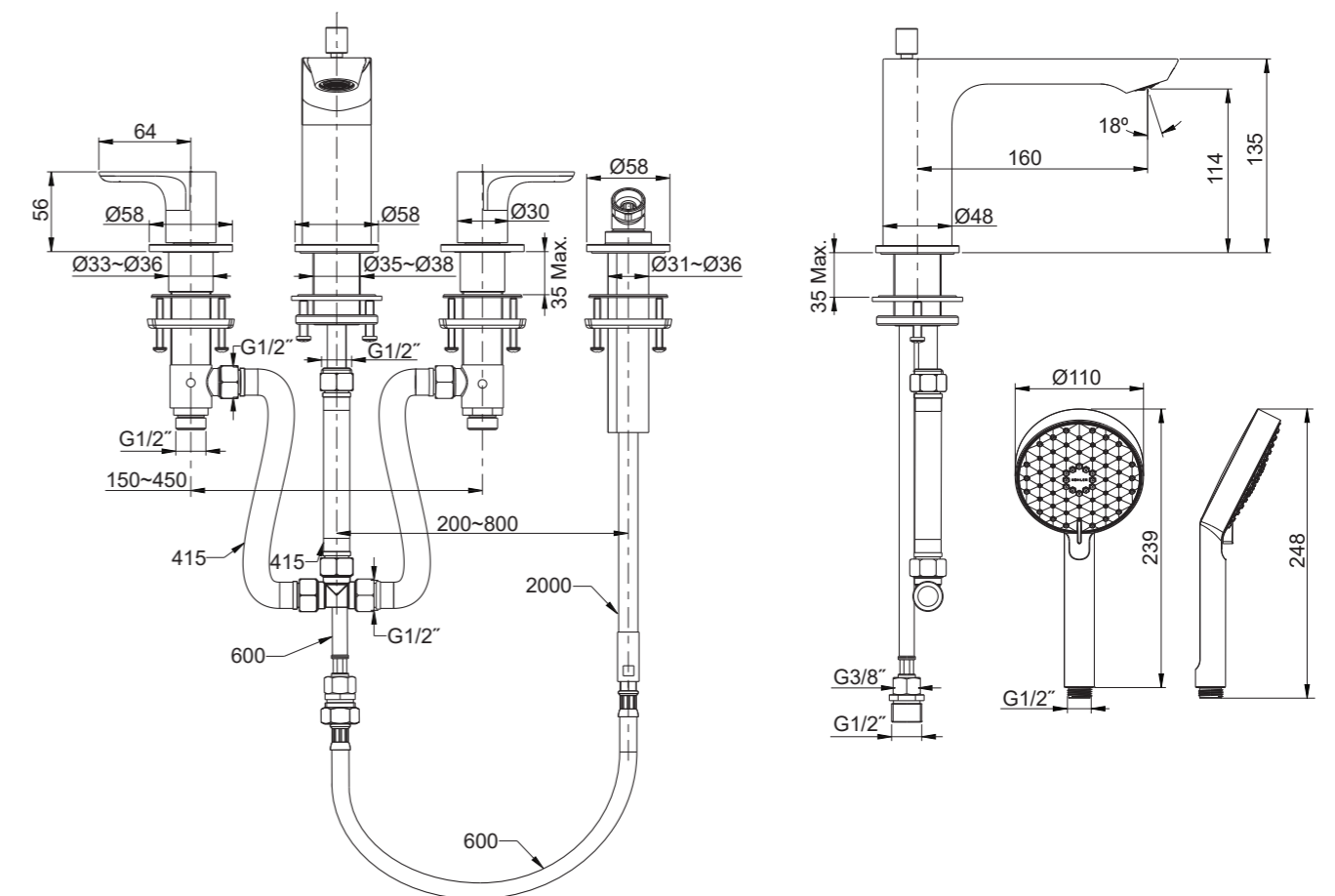
#### NOTES:

1. Flush the water supply pipes thoroughly to remove debris.
2. Inspect the supply tubing for damage and leakage. Replace and maintain as necessary.
3. Observe local plumbing codes.
4. If possible, install the faucet before installing the tub.
5. The highest working pressure for handshower is 0.5MPa(5bar). If it exceeds 0.5MPa(5bar), a pressure reducer is needed. The highest water and environment temperature is 60°C. Please keep handshower, showerhead and shower arm away from heater, or it may become damaged and cause injury to the user.

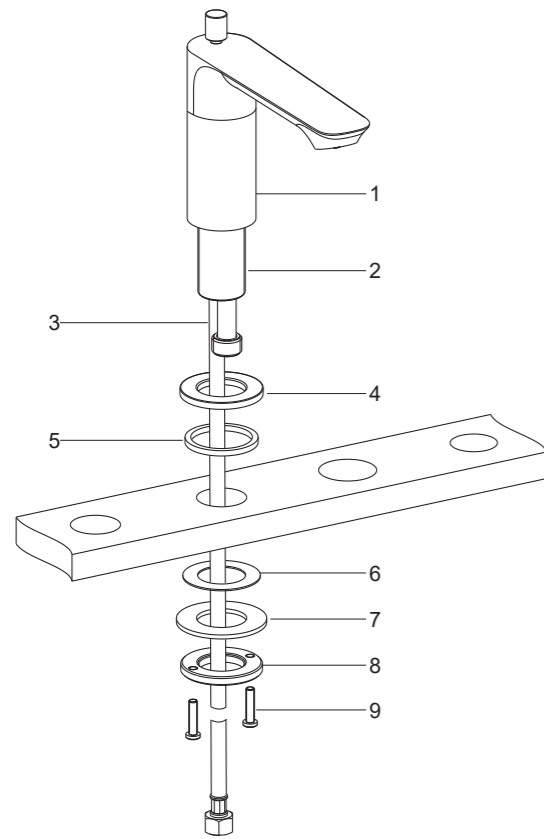
#### HANDLE OPERATION

Left handle opens with turning counter-clockwise. Right handle opens with turning clockwise. water flows out from spout when faucet diverter is in the normal position. Lift the diverter knob gently, shower works.

#### ROUGH-IN DIMENSIONS



## INSTALLATION

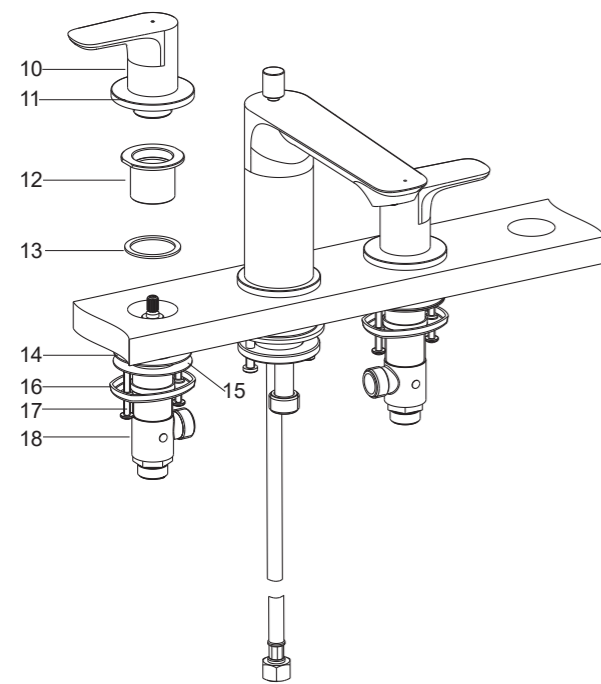


### How to Install the Spout

Put the washer(5) into the groove of the escutcheon(4). Install the escutcheon onto the bottom of the spout(1). Insert the spout assembly with hose(3) into the mounting hole.

Pre-install the screws(9) into the screw holes of the threaded ring(8). From underside of the bathtub, install the fiber washer(6), steel washer(7) and threaded ring(8) on the spout seat(2).

Position the spout assembly, keep spout frontwards. Secure the spout assembly by tightening screws(9).



### How to Install the Valve Bodies and Handles

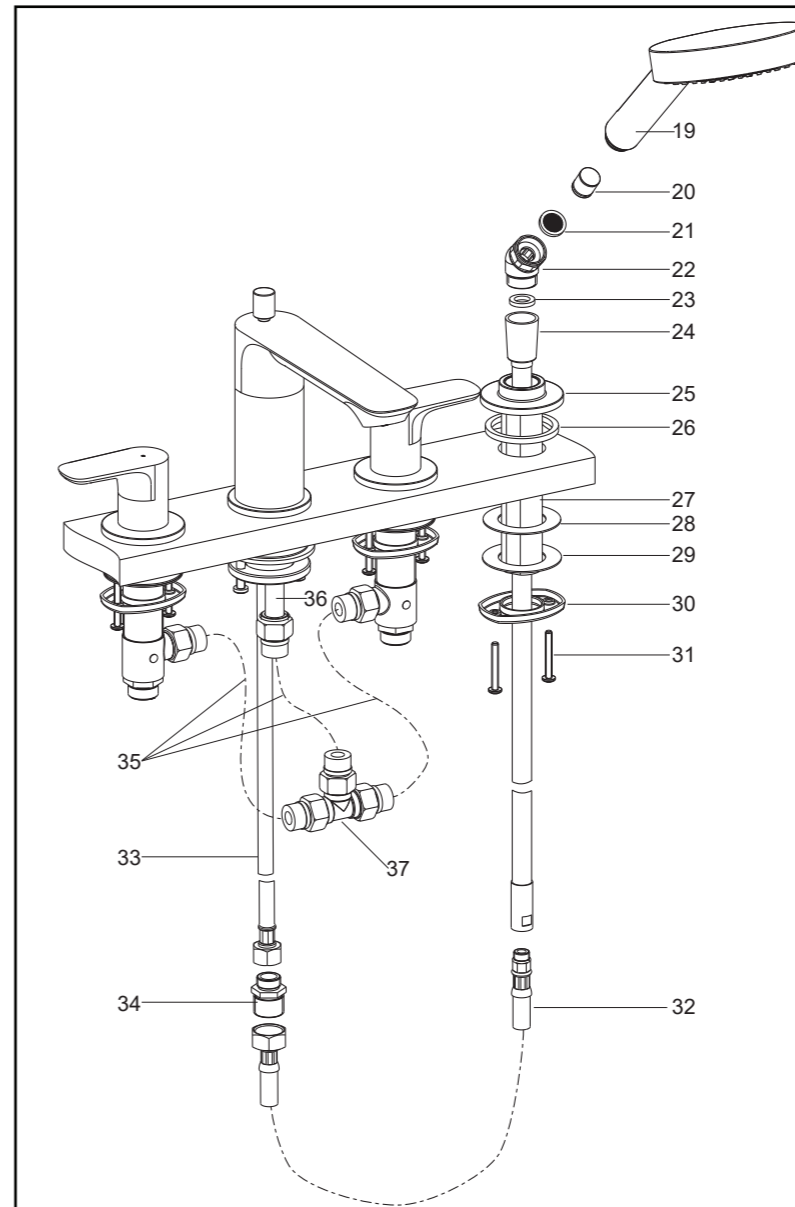
Remove the handle assembly(10), nut(12) and rubber washer(13) from each valve body(18). Ensure the fiber washer(14), steel washer(15) and threaded ring(16) on the valve body.

From underside of the bathtub, install the valve body into the mounting hole. **NOTE:** The valve body with red mark should be installed on the left side and connected with hot water supply.

Put the rubber washer(13) into the groove of the nut(12). Tighten the nut onto the valve body from upside of the bathtub.

Adjust the outlet of the side body to connect hose easily. Secure the side body by tightening screws(17).

Make sure the valve is closed. Press the handle kit(10) onto the nut(12). Hold the handle and tighten the handle base(11). **NOTE:** The handle kit with red mark should be installed on the left side.



### How to Install the Handshower and Connect to the Hoses

Put the rubber washer(26) into the groove of the escutcheon(25). Insert the shank(27) into the mounting hole. Tighten the escutcheon with washer on the shank.

Pre-install the screws(31) into the screw holes of the threaded ring(30). From underside, install the fiber washer(28), steel washer(29) and threaded ring to the shank. Then tighten the screws firmly.

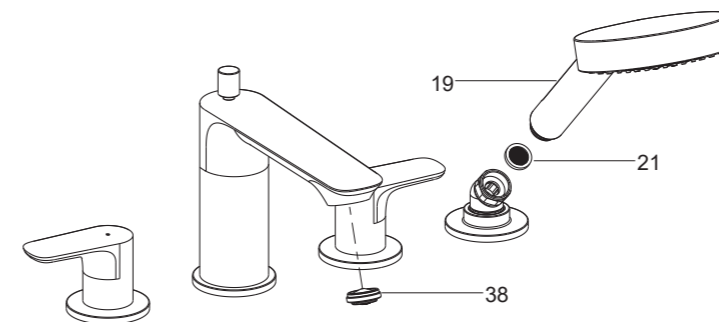
Uninstall the shower hose(24, length: 2000mm) from hose(32, length: 600mm). Put the washer(23) into the shower hose. Connect the shower hose to the elbow assembly(22) firstly. Then slide the shower hose through the escutcheon and shank, and attach it to the hose(32).

Put the screen washer(21) into the elbow assembly. Put the valve check(20) into the handshower(19) if needed. Connect the elbow assembly to handshower.

Tighten the connector(34) into the hose(33). Connect the hose(32) to the connector(34).

Install three hoses(35, length: 415mm) to the side bodies and weld connector(36) of the spout tube. And then attach them to T-connector(37) as shown.

## INSTALLATION CHECKOUT



Ensure all connections are tight. Ensure the handles are in the off position.

Uninstall the aerator(38) by coin. Uninstall the handshower(19). Open the drain. Turn on the main supply and check for leaks. Open valve and run water through the spout to remove any debris. Switch to handshower and remove debris from screen washer(21). Turn the valve off. Reinstall the aerator and handshower.

## CLEANING INSTRUCTIONS

All Finishes: Clean the finish with mild soap and warm water. Wipe entire surface completely dry with clean soft cloth. Many cleaners may contain chemicals, such as ammonia, chlorine, toilet cleaner etc. which could adversely affect the finish and are not recommended for cleaning.

Do not use abrasive cleaners or solvents on Kohler faucets and fittings.